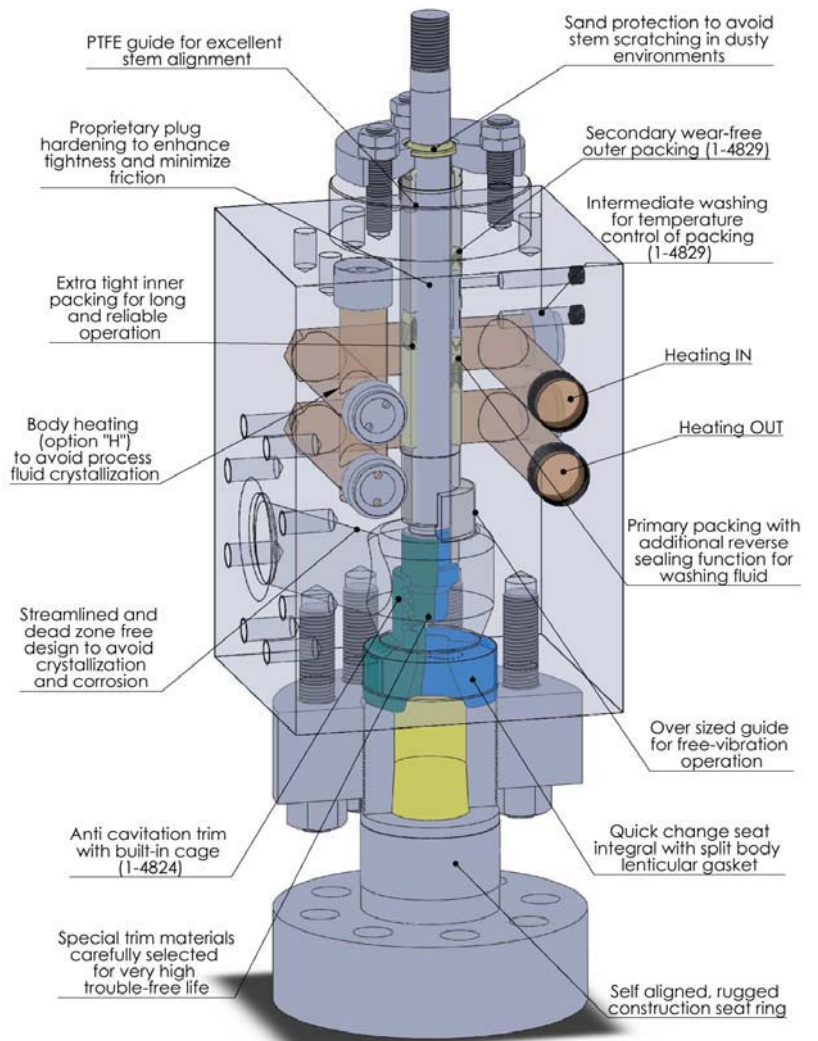


PARCOL

THE WORLD LEADER IN SEVERE SERVICE CONTROL VALVES FOR UREA PLANTS

- Technologically advanced and compact design.
- Proven experience on a large number of applications all over the world.
- Increased plant production due to high reliable valve performance and longer MTTM (Mean Time To Maintenance).
- Lowest overall costs due to:
 - easy maintenance, quick change trim, no screwed or welded seats;
 - long trim life;
 - Improved resistance to corrosion due to the absence of dead zones.
- Customized valve design to fit our valves in existing piping.
- Reduced leakage and system costs.

1-4800 SERIES SPLIT BODY ANGLE CONTROL VALVE



1-2311 SERIES ONE PIECE BODY BUTTERFLY CONTROL VALVE

